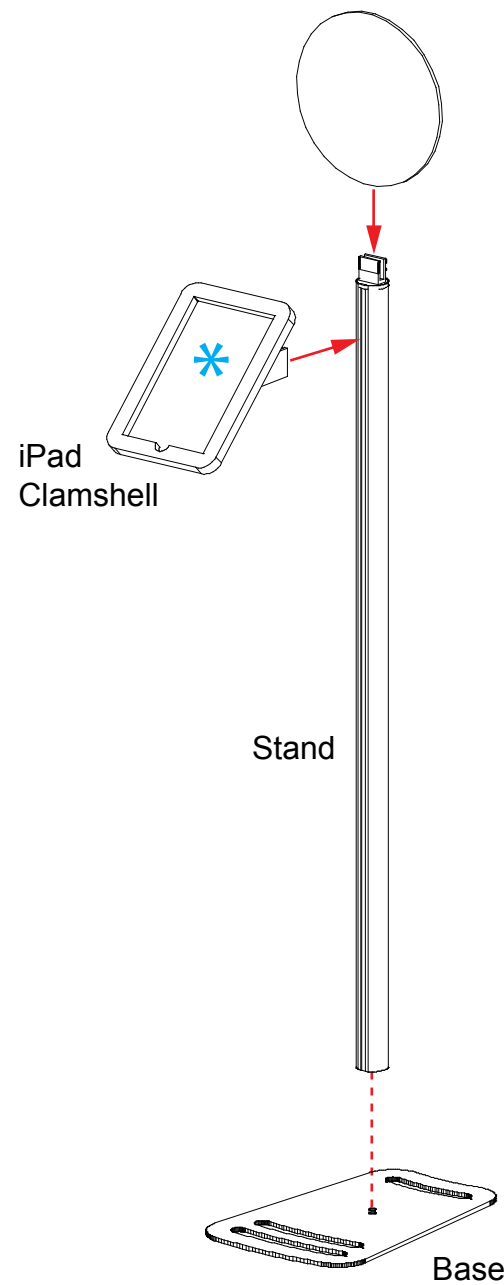




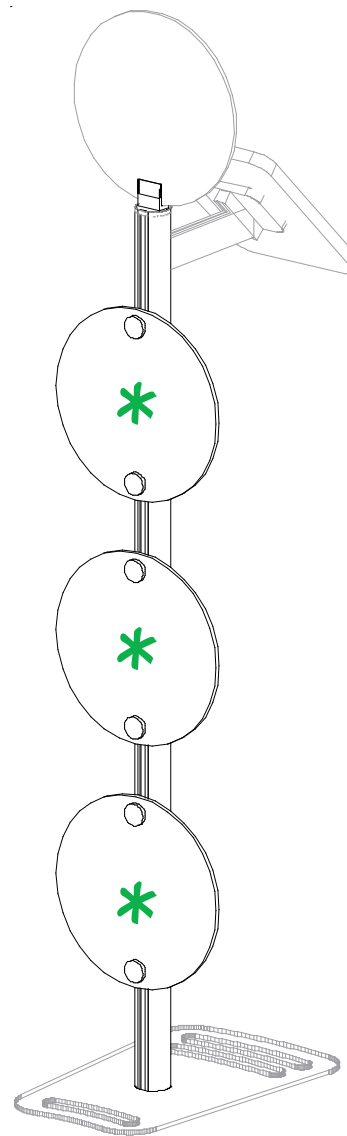
Steps:

- 1) Connect vertical stand to base plate using bolt provided.
- 2) Assemble and attach iPad clamshell. See [iPad Mount Attachment](#) detail.
- 3) Install header graphic to A10 Clamp on top of stand post.
- 4) Attach graphics to backside of stand post. See [Graphic to Post Attachment](#) detail.
- 5) Insert iPad into clamshell and thread power cords through power management holes.



<p>* iPad Mount Attachment</p> <p>Swivel Mounting Plate Tighten Lock to Secure</p> <p>Attach connector piece to iPad mount as shown; connect assembled iPad mount to vertical extrusion.</p>	<p>Hex Nuts Swivel Mounting Plate</p> <p>Bolt iPad clamshell to mounting plate with hex nuts.</p>
<p>Clam Shell rotates between portrait and landscape viewing modes.</p>	<p>Lock Lock iPad Wire Access</p>

Tools Required:
1) Hex Tool
2) Pliers



Graphic to Post Attachment

V20
Graphic
Cap

Slide connector with stud into groove of extrusion and twist to secure in place. Attach graphic with cap as shown.

Optional Cover for Home Button

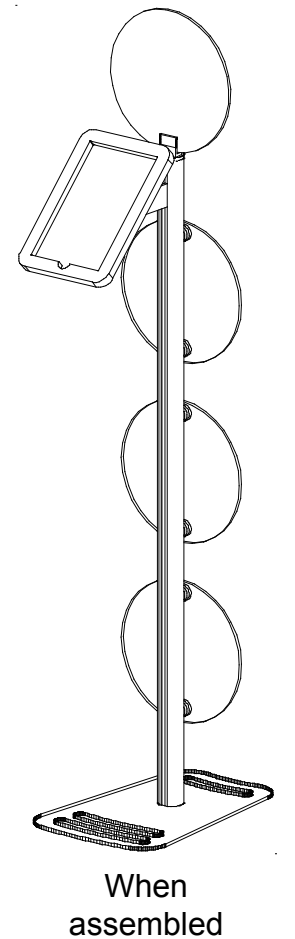
Foam Lining Removed
Home Button Shield

- 1) Remove foam lining from inside bottom of clamshell as shown.
- 2) Attach Home Button Shield with double-sided tape to inside of clamshell, keeping top of shield flush with clamshell opening as shown.

NOTE: This is a permanent fix and can't be easily removed.

Wire Management for iPad

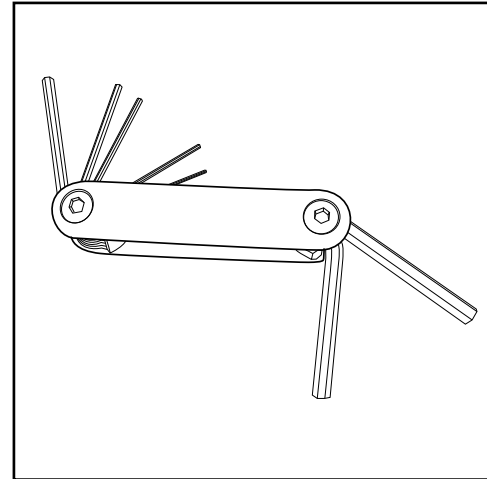
Feed iPad charging cord through holes from top to bottom of post.



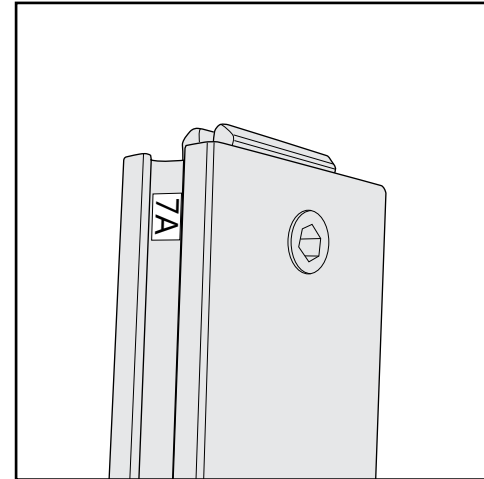
WHEN DISASSEMBLING ALUMINUM EXTRUSION, TIGHTEN ALL SETSCREWS AND LOCKS TO PREVENT LOSS DURING SHIPPING

General Setup Instructions

- Read entire setup instruction manual prior to unpacking parts and pieces.
- The setup instructions are created specifically for this configuration.
- Setup instructions are laid out sequentially in steps, including exploded views with detailed explanation for assembly.



Hex Tool - Essential for Assembly



Part Identification - Numbering



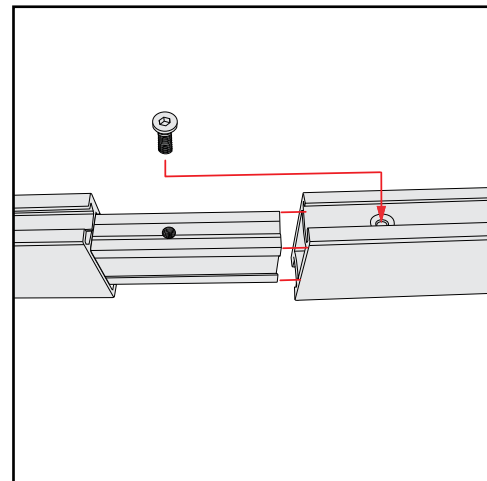
WARNING

Cleaning & Packing

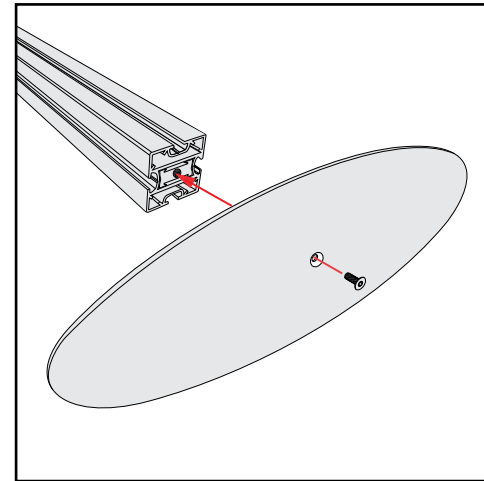
- For Cleaning Metal, Plex, & Laminate Parts: Use a **MILD NON-ABRASIVE** cleanser and soft cloth/paper towel to clean all surfaces.
- Keep exhibit components away from heat and prolonged sun exposure. **Heat and UV exposure will warp and fade components.**
- Retain all provided Packing Materials. All provided packing materials are for ease of repacking & component protection.

Disassembly

- For loss prevention, tighten all setscrews and locks during disassembly



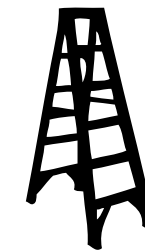
Spline Connection



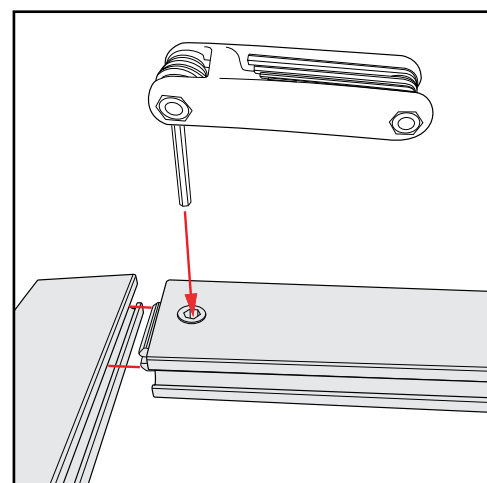
Base Plate & Extrusion Connection



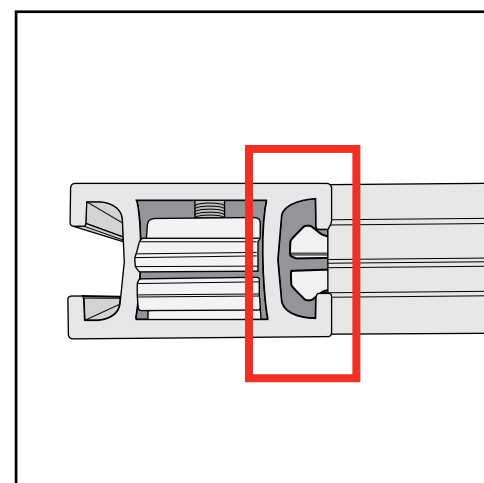
DO NOT USE POWER TOOLS



LADDERS OR LIFTS MAY BE REQUIRED



Extrusion & Lock Connection



Engaged Lock

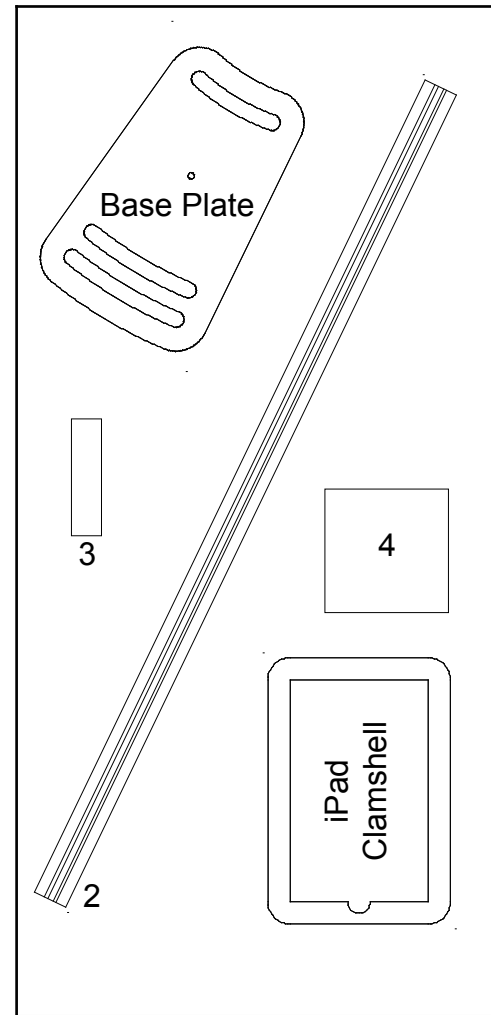


ALL CONNECTIONS MUST BE TIGHTLY SECURED

WHEN DISASSEMBLING ALUMINUM EXTRUSION, TIGHTEN ALL SETSCREWS AND LOCKS TO PREVENT LOSS DURING SHIPPING



Top View of Each Level



Setup Hardware

Level 1

WHEN DISASSEMBLING ALUMINUM EXTRUSION, TIGHTEN ALL SETSCREWS AND LOCKS TO PREVENT LOSS DURING SHIPPING